

S6

SNOW PLOWS

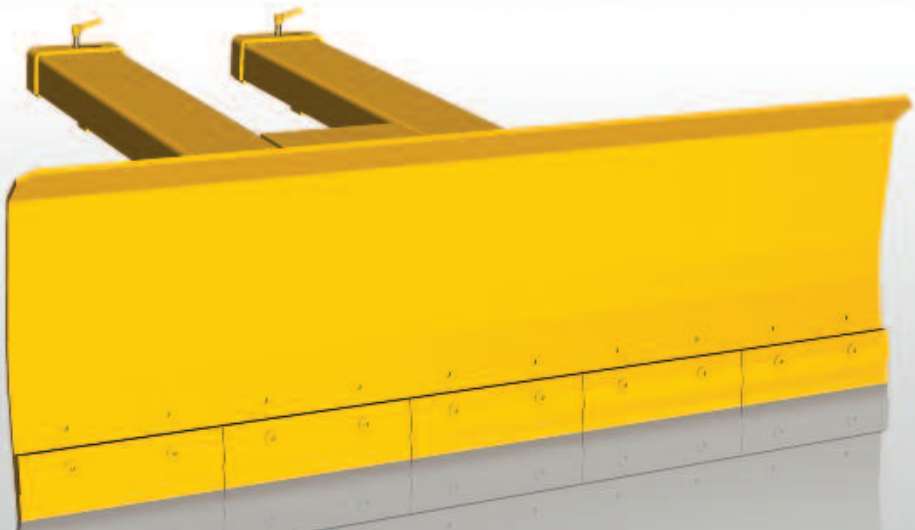
96

Snow plows are used for removing snow from large areas and paths.

They are mounted by means of fork pockets that are secured with clamping screws.

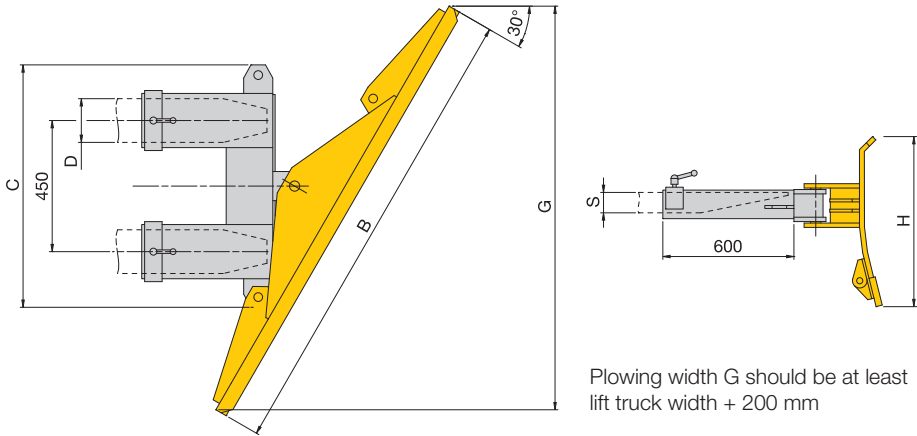
The shields are available in different widths; however, the effective plowing width (inclination – G-measure) must be greater than the width of the forklift.

Due to the swiveling angle to the right or to the left the snow will slide to the side.



Snow Plows

9S

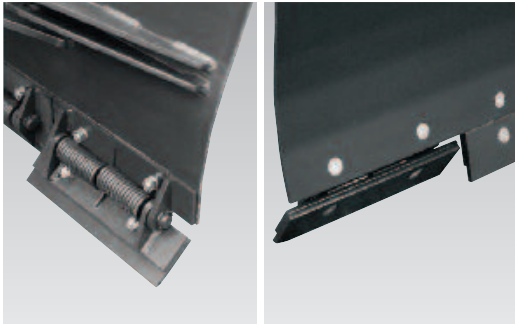


Manual swivel range of 30° to the left and to the right

Model	B	G	C	D	S	H	Weight	Price incl. steel shield trim	Price incl. polyurethane shield trim
	mm	mm	mm	mm	mm	mm			
Snow plow with continuous steel or polyurethane shield trim									
S 6 - R 160	1600	1400	900	max. 150*	max. 70*	480	150		
S 6 - R 200	2000	1700	900	max. 150*	max. 70*	480	180		
Snow plow with spring-loaded shield trim – wear element steel or polyurethane plates									
S 6 - RKS 160	1600	1400	900	max. 150*	max. 70*	540	170		
S 6 - RKS 200	2000	1700	900	max. 150*	max. 70*	540	210		
S 6 - RKS 280	2800	2400	900	Fork width*	Fork thickness*	560	330		

* Please indicate the respective fork cross section when ordering.

- Surcharge for shield locking mechanism in 0° position



Spring-loaded shield trim



Swivel range of 30° to the right or to the left