

S21

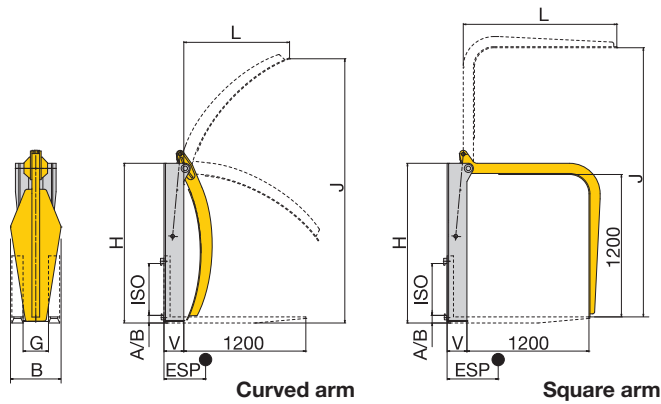
WOOD GRAPPLES

Wood grapples secure logs against rolling off the forks. The arm opens up wide so that the attachment can also carry out fork handling. The double-arm version with knee-joint facilitates precise positioning of the hydraulic arm.



Wood Grapples (Single Arm)

1 hydraulic function



Arm length for fork length 1200 mm

Model	Load capacity	LC (LSP)	ISO	B	G	H	L	J	V	CoG (ESP)	Weight	Price	Surcharge per 100 mm add. arm length

With curved arm

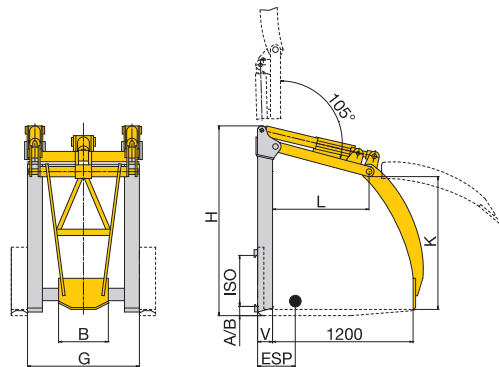
S 21 - HG 25 B	2500	500	2	500	250	1570	1200	2400	195	290	230		
S 21 - HG 35 B	3500	500	3	500	250	1570	1200	2400	195	280	260		

With square arm

S 21 - HG 25 R	2500	500	2	500	250	1570	1250	2400	195	310	260		
S 21 - HG 35 R	3500	500	3	500	250	1570	1250	2400	195	300	290		

Wood Grapples (Double Arm with Articulated Joint)

2 hydraulic functions



Arm length for fork length 1200 mm

Model	Load capacity	LC (LSP)	ISO	B	G	K	L	H	V	CoG (ESP)	Weight	Price	Surcharge per 100 mm add. arm length
S 21 - HGD 35	3500	500	3	500	900	1150	830	1610	150	450	520		
S 21 - HGD 50	5000	600	3/4	500	900	1150	830	1610	170	425	620		
S 21 - HGD 80	8000	600	4	600	1100	1200	880	1875	200	485	940		

- Surcharge for load pusher on request.