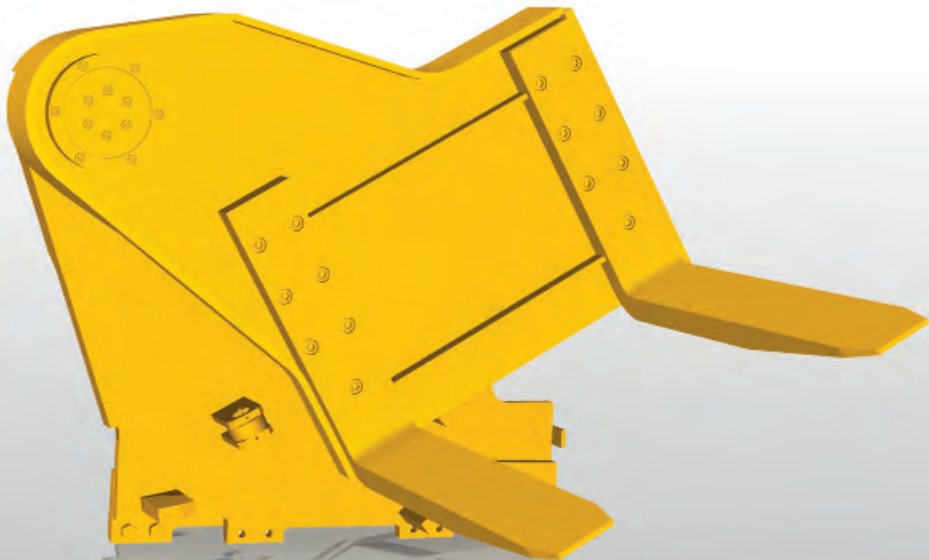


**LADLE SIDE TIPPERS
CHARGING DEVICES**

S23

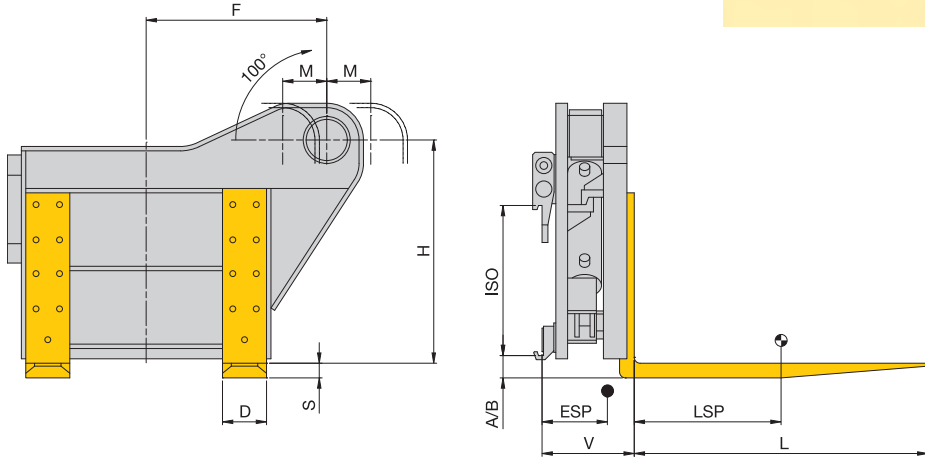
Ladle side tippers are used for pouring liquid metal. The center of rotation is positioned near the ladle's spout ensuring only slight movement of the pouring stream. The offset can be corrected by the sideshift.

Charging Devices are used for charging melting furnaces with additives. The attachment consists of a 360° rotator with an attached carrying arm, on which a mechanically or hydraulically lockable box is located.



Ladle Side Tipper with Sideshift

2 hydraulic functions



$L = 1000 \text{ mm}$ · Forks serially bolted on · Tilting angle 100°

Model	Load capacity	LC (LSP)	ISO	D	S	M	V	CoG (ESP)	Weight
	kg	mm							
S 23 - SKV 15	1500	500	2	125	45	100	285	210	620
S 23 - SKV 25	2500	500	2/3	140	50	100	300	220	860
S 23 - SKV 30	3000	500	3	150	60	100	340	245	1020
S 23 - SKV 40	4000	600	3/4	150	70	100	380	265	1320
S 23 - SKV 60	6000	600	4	200	70	150	430	290	1750

- Dimensions F and H depend on the ladle.

- Alternatively: Also tippable to the right (facing direction of motion).

- Bins with liquid metal must be secured during transportation.

A locking device is not included with the attachment. Available on request.

Standard values for residual load capacity of lift trucks**

Ladle Side Tipper	S 23 -	SKV 15	SKV 15	SKV 25	SKV 25	SKV 30	SKV 30	SKV 40	SKV 40	SKV 60
Load capacity lift truck	kg	1500	2000	2500	3000	3500	4000	5000	6000	8000
X*	mm	350	450	450	450	500	500	560	560	650
LC (LSP) = 500 mm	kg	910	1340	1600	2000	2250	2640	3610	4460	5800
LC (LSP) = 600 mm	kg	830	1240	1470	1840	2090	2450	3370	(4150)	5450

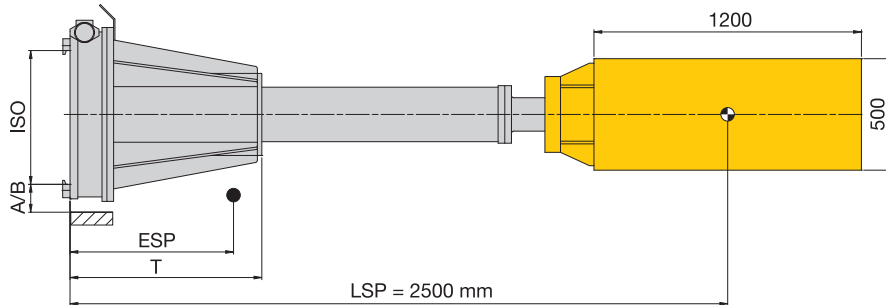
** The load capacity applies to lifting heights up to 3300 mm; specifications for greater lifting heights on request.

* Assumed dimensions

- For greater load centers, where the lift truck has a higher residual load capacity than the attachment, those values, upon the exceedance of which the attachment would be overloaded, are indicated in brackets ().

Charging Devices, Rotatable

1 hydraulic function



Rotation range 360°

Model	Load capacity	LC (LSP)	ISO	Capacity	T	CoG (ESP)	Weight	Add. weight per 500 mm arm length
	kg	mm		cbm	mm	mm	kg	kg
S 23 - CHV 08	800	2500	3	0,4	860	800	950	25
S 23 - CHV 15	1500	2500	3/4	0,4	900	850	1450	40
S 23 - CHV 25	2500	2500	4	0,4	900	780	1920	80
S 23 - CHV 40	4000	2500	4	0,4	1100	720	2500	130

Standard values for residual load capacity of lift trucks**

Charging Devices	S 23 -	CHV 08	CHV 15	CHV 15	CHV 25	CHV 25	CHV 40	CHV 40
Load capacity lift truck	kg	3500	4500	5000	7000	8000	10000	12000
X*	mm	500	500	560	560	650	750	800
LC (LSP) = 2500 mm	kg	820	930	1350	2100	2490	3280	4260
LC (LSP) = 3000 mm	kg	650	760	1090	1710	2040	2680	3520
LC (LSP) = 3500 mm	kg	520	630	880	1430	1690	2210	2960

** The load capacity applies to lifting heights up to 3300 mm; specifications for greater lifting heights on request.

* Assumed dimensions



Charging device with hydraulically lockable box



Ladle tipper with ladle



Integral side tipper with sideshift



Side tipper with sideshift and hydraulic lid opener