

S11

FORK POSITIONERS ZVP

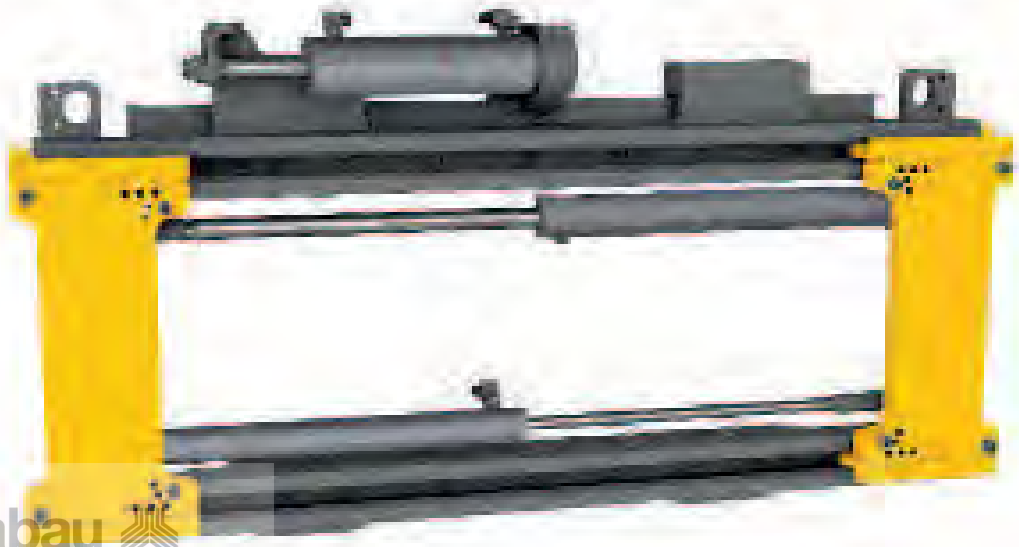
Fork positioners enable hydraulic positioning of forks. These attachments are used in particular for frequently changing load widths.

Due to the sturdy frame construction, the heavy-duty version is even suited for the toughest applications. A great deal of spreading stress can be absorbed due to the double-shaft guide and the bolt-on forks. When handling round goods, we recommend chamfering the inner and outer edges of the forks in order to avoid damage to the goods. For the emptying of boxes, the attachment is available as a rotatable version.

If a wide opening range is required, hydraulic fork spreaders should be used. With hydraulic fork spreaders and a frame width corresponding to the vehicle, the opening range of the forks can be adjusted beyond the width of the vehicle. Loads cannot be clamped with this attachment. Both attachments can be equipped with telescopic forks, which are serially provided as bolt-on forks.

Fork positioners can be equipped with a separate sideshifter or a sideshift valve. With the integral version, the attachment and not the fork carrier is mounted directly into the mast. This keeps the loss in load capacity to a minimum and enhances driver visibility.

Fork positioners ZVP/ZVPV allow mounting the truck's forks. Due to the profile guide, the opening range of the forks can be adjusted in accordance with the width of the attachment.



Fork Positioners (Heavy-duty)



Model S 11 - ZV

- Frame construction
- Double-shaft guided
- Forks adjustable to any position inside the frame
- Forks serially bolted on

from page 74

Fork Positioners, Rotatable

S11



Model S 11 - ZV-360°

- Rotation range 360°
- Frame construction
- Double-shaft guided
- Forks adjustable to any position inside the frame
- Forks serially bolted on

from page 80

Fork Positioners, Profile-Guided



Model S 11 - ZVP/ZVPV

- Profile-guided
- Forks can be hooked on
- ZVP for ISO classes 2 and 3 with forced hydraulic synchronism (not for version -SV)
- ZVPV for ISO class 4
- Forks adjustable to any position inside the frame

from page 82

Fork Positioners with Large Opening Range



Model S 11 - ZVKG

- Profile-guided
 - Opening range of the forks beyond the attachment width
 - Forks serially welded on
- from page 106

Fork Positioners for Reach Trucks



Model S 11 - ZVKG/S/ZVPS

- Profile-guided
 - Opening range beyond the attachment width (ZVKG/S) – opening range within the attachment contours (ZVPS)
 - Various designs for reach trucks
 - With/without forks/telescopic forks
- from page 108

Fork Positioners with Telescopic Forks



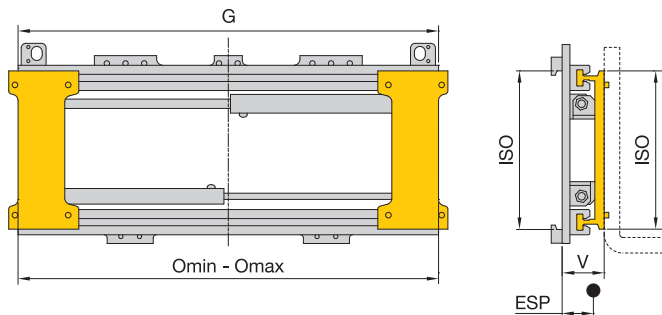
Model S 11 - ZV-TGH

- Bolt-on telescopic forks serially
- ZV-TGH shaft-guided – Forks adjustable to any position inside the frame
- ZVPV/ZVPV-TGH profile-guided – opening range corresponding to attachment width
- ZVKG-TGH profile-guided – opening range of forks beyond the attachment width

from page 111

Fork Positioners ZVP-Series

1 hydraulic function



For forks according to ISO 2328

Model	Load capacity	LC (LSP)	ISO	Omin-Omax	G	V	CoG (ESP)	Weight	Price
	kg	mm		mm	mm	mm	mm		
S 11 - ZVP 20	2000	500	2	400- 980	980	118	45	120	
				500-1080	980	118	45	120	
				400-1050	1050	118	45	125	
				500-1150	1050	118	45	125	
				400-1150	1150	118	45	130	
S 11 - ZVP 25	2500	600	2	400-1050	1050	118	45	125	
				500-1150	1050	118	45	125	
				400-1150	1150	118	45	130	
				500-1250	1150	118	45	130	
				400-1250	1250	118	45	135	
S 11 - ZVP 35	3500	500	3	400-1050	1050	128	52	135	
				500-1150	1050	128	52	135	
				400-1150	1150	128	52	140	
				500-1250	1150	128	52	140	
				400-1250	1250	128	52	145	
				500-1350	1250	128	52	145	
				400-1350	1350	128	52	150	
				500-1450	1350	128	52	150	

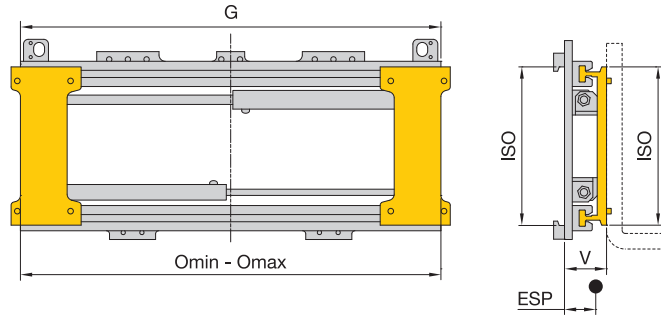
- For load backrests see page 211

- Ex-protection version on request.



Fork Positioners ZVP-Series

1 hydraulic function



For forks according to ISO 2328

Model	Load capacity	LC (LSP)	ISO	Omin-Omax	G	V	CoG (ESP)	Weight	Price
	kg	mm		mm	mm	mm	mm		
S 11 - ZVP 48	4800	600	3	400-1250	1250	135	55	190	
				500-1350	1250	135	55	190	
				400-1350	1350	135	55	195	
				500-1450	1350	135	55	195	
				400-1450	1450	135	55	200	
				500-1550	1450	135	55	200	
				400-1550	1550	135	55	205	
				500-1650	1550	135	55	205	

- For load backrests see page 211

- Ex-protection version on request.



Standard values for residual load capacity of lift trucks**

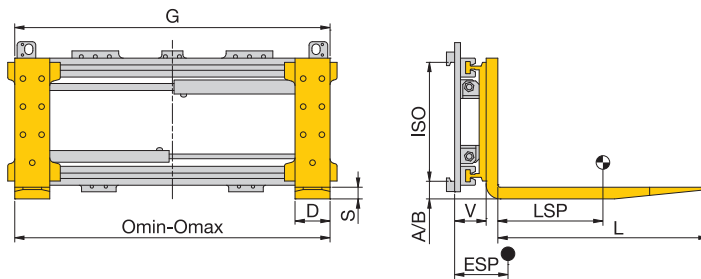
Fork Positioners	S 11 -	ZVP 20	ZVP 20	ZVP 25	ZVP 35	ZVP 35	ZVP 48	ZVP 48	ZVP 48
Load capacity lift truck	kg	1500	2000	2500	3000	3500	4000	4500	5000/500
X*	mm	350	450	450	450	500	500	500	500
LC (LSP) = 500 mm	kg	1265	1715	2160	2575	3025	3420	3860	4300
LC (LSP) = 600 mm	kg	1145	1570	1975	2355	2780	3145	3550	3950
LC (LSP) = 700 mm	kg	1045	1445	1820	2170	2570	2910	3285	3655
LC (LSP) = 800 mm	kg	965	1340	1685	2015	2390	2710	3055	3400

** The load capacity applies to lifting heights up to 3300 mm; specifications for greater lifting heights on request.

* Assumed dimensions

Fork Positioners ZVP-Series and Forks

1 hydraulic function



Forks serially bolted on

Model	Load capacity	LC (LSP)	ISO	Omin-Omax	G	D	S	L	V	CoG (ESP)	Weight	Price	Surcharge per 100 mm add. fork length
	kg	mm		mm	mm	mm	mm	mm	mm	mm			
S 11 - ZVP 20-Z	2000	500	2	400- 980	980	120	40	1200	118	260	235		
				500-1080	980	120	40	1200	118	260	235		
				400-1050	1050	120	40	1200	118	258	240		
				500-1150	1050	120	40	1200	118	258	240		
				400-1150	1150	120	40	1200	118	255	245		
S 11 - ZVP 25-Z	2500	600	2	400-1050	1050	125	45	1200	118	275	260		
				500-1150	1050	125	45	1200	118	275	260		
				400-1150	1150	125	45	1200	118	273	265		
				500-1250	1150	125	45	1200	118	273	265		
				400-1250	1250	125	45	1200	118	270	270		
S 11 - ZVP 35-Z	3500	500	3	400-1050	1050	140	50	1200	128	275	320		
				500-1150	1050	140	50	1200	128	275	320		
				400-1150	1150	140	50	1200	128	272	325		
				500-1250	1150	140	50	1200	128	272	325		
				400-1250	1250	140	50	1200	128	270	330		
				500-1350	1250	140	50	1200	128	270	330		
				400-1350	1350	140	50	1200	128	268	335		
				500-1450	1350	140	50	1200	128	268	335		

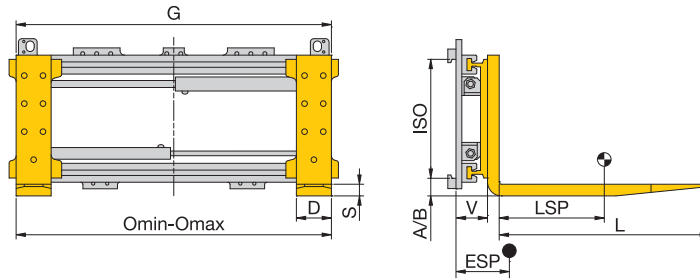
- For load backrests see page 211

- Ex-protection version on request.



Fork Positioners ZVP-Series and Forks

1 hydraulic function



Forks serially bolted on

Model	Load capacity	LC (LSP)	ISO	Omin-Omax	G	D	S	L	V	CoG (ESP)	Weight	Price	Surcharge per 100 mm add. fork length
	kg	mm		mm	mm	mm	mm	mm	mm	mm			
S 11 - ZVP 48-Z	4800	600	3	400-1250	1250	150	60	1200	135	292	425		
				500-1350	1250	150	60	1200	135	292	425		
				400-1350	1350	150	60	1200	135	289	430		
				500-1450	1350	150	60	1200	135	289	430		
				400-1450	1450	150	60	1200	135	286	435		
				500-1550	1450	150	60	1200	135	286	435		
				400-1550	1550	150	60	1200	135	284	440		
				500-1650	1550	150	60	1200	135	284	440		

- For load backrests see page 211

- Ex-protection version on request.



Standard values for residual load capacity of lift trucks**

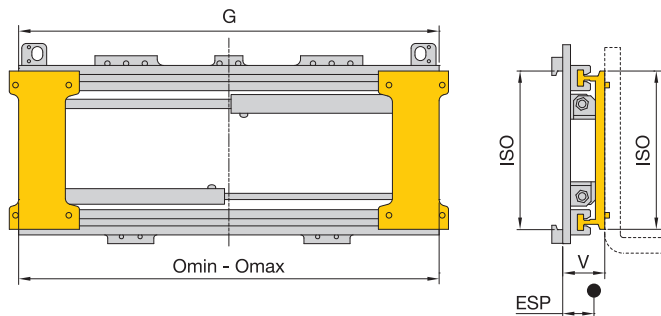
Fork Positioners	S 11 -	ZVP 20-Z	ZVP 20-Z	ZVP 25-Z	ZVP 35-Z	ZVP 35-Z	ZVP 48-Z	ZVP 48-Z	ZVP 48-Z
Load capacity lift truck	kg	1500	2000	2500	3000	3500	4000	4500	5000/500
X*	mm	350	450	450	450	500	500	500	500
LC (LSP) = 500 mm	kg	1210	1700	2120	2495	2990	3305	3740	4240
LC (LSP) = 600 mm	kg	1100	1555	1940	2285	2745	3040	3440	3900
LC (LSP) = 700 mm	kg	1005	1430	1785	2105	2540	2810	3185	3610
LC (LSP) = 800 mm	kg	925	1325	1655	1955	2360	2620	2965	3355

** The load capacity applies to lifting heights up to 3300 mm; specifications for greater lifting heights on request.

* Assumed dimensions

Fork Positioners ZVP-Series with Sideshift Valve

2 hydraulic functions



For forks according to ISO 2328

Model	Load capacity	LC (LSP)	ISO	Omin-Omax	G	V	CoG (ESP)	Weight	Price
	kg	mm		mm	mm	mm	mm	kg	
S 11 - ZVP 20-SV	2000	500	2	400- 980	980	118	45	125	
				400-1050	1050	118	45	130	
				400-1150	1150	118	45	135	
S 11 - ZVP 25-SV	2500	600	2	400-1050	1050	118	45	130	
				400-1150	1150	118	45	135	
				400-1250	1250	118	45	140	
S 11 - ZVP 35-SV	3500	500	3	400-1050	1050	128	52	140	
				400-1150	1150	128	52	145	
				400-1250	1250	128	52	150	
				400-1350	1350	128	52	155	
S 11 - ZVP 48-SV	4800	600	3	400-1250	1250	135	55	195	
				400-1350	1350	135	55	200	
				400-1450	1450	135	55	205	
				400-1550	1550	135	55	210	

- No sideshifting when forks are in their end positions! Also see page 9

- Ex-protection version on request.

- For load backrests see page 211



Standard values for residual load capacity of lift trucks**

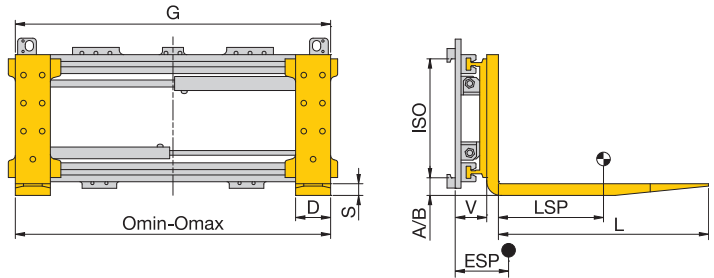
Fork Positioners	S 11 -	ZVP 20-SV	ZVP 20-SV	ZVP 25-SV	ZVP 35-SV	ZVP 35-SV	ZVP 48-SV	ZVP 48-SV	ZVP 48-SV
Load capacity lift truck	kg	1500	2000	2500	3000	3500	4000	4500	5000/500
X*	mm	350	450	450	450	500	500	500	500
LC (LSP) = 500 mm	kg	1265	1715	2160	2570	3025	3420	3860	4300
LC (LSP) = 600 mm	kg	1145	1570	1975	2355	2780	3145	3550	3950
LC (LSP) = 700 mm	kg	1050	1445	1820	2170	2570	2910	3285	3655
LC (LSP) = 800 mm	kg	965	1340	1685	2015	2390	2710	3055	3400

** The load capacity applies to lifting heights up to 3300 mm; specifications for greater lifting heights on request.

* Assumed dimensions

Fork Positioners ZVP-Series with Sideshift Valve and Forks

2 hydraulic functions



Forks serially bolted on

Model	Load capacity		ISO	Omin-Omax	G	D	S	L	V	CoG (ESP)	Weight	Price	Surcharge per 100 mm add. fork length
	kg	mm											
S 11 - ZVP 20-SV-Z	2000	500	2	400-980	980	120	40	1200	118	260	240		
				400-1050	1050	120	40	1200	118	258	245		
				400-1150	1150	120	40	1200	118	255	250		
S 11 - ZVP 25-SV-Z	2500	600	2	400-1050	1050	125	45	1200	118	275	265		
				400-1150	1150	125	45	1200	118	273	270		
				400-1250	1250	125	45	1200	118	270	275		
S 11 - ZVP 35-SV-Z	3500	500	3	400-1050	1050	140	50	1200	128	275	325		
				400-1150	1150	140	50	1200	128	272	330		
				400-1250	1250	140	50	1200	128	270	335		
				400-1350	1350	140	50	1200	128	268	340		
S 11 - ZVP 48-SV-Z	4800	600	3	400-1250	1250	150	60	1200	135	292	430		
				400-1350	1350	150	60	1200	135	289	435		
				400-1450	1450	150	60	1200	135	286	440		
				400-1550	1550	150	60	1200	135	284	445		

- No sideshifting when forks are in their end positions! Also see page 9

- Ex-protection version on request.

- For load backrests see page 211



Standard values for residual load capacity of lift trucks**

Fork Positioners	S 11 -	ZVP 20-SV-Z	ZVP 20-SV-Z	ZVP 25-SV-Z	ZVP 35-SV-Z	ZVP 35-SV-Z	ZVP 48-SV-Z	ZVP 48-SV-Z	ZVP 48-SV-Z
Load capacity lift truck	kg	1500	2000	2500	3000	3500	4000	4500	5000/500
X*	mm	350	450	450	450	500	500	500	500
LC (LSP) = 500 mm	kg	1210	1700	2120	2495	2985	3305	3740	4240
LC (LSP) = 600 mm	kg	1100	1555	1940	2280	2740	3040	3440	3900
LC (LSP) = 700 mm	kg	1005	1430	1785	2105	2535	2815	3185	3610
LC (LSP) = 800 mm	kg	925	1330	1655	1955	2360	2620	2965	3360

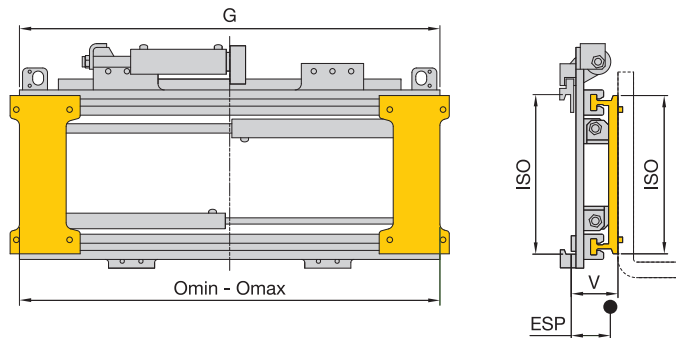
** The load capacity applies to lifting heights up to 3300 mm; specifications for greater lifting heights on request.

* Assumed dimensions

S11

Fork Positioners ZVP-Series with Separate Sideshift

2 hydraulic functions



For forks according to ISO 2328

Model	Load capacity	LC (LSP)	ISO	Omin-Omax	G	Sideshift	V	CoG (ESP)	Weight	Price	
	kg	mm		mm	mm						mm
S 11 - ZVP 20-S	2000	500	2	400- 980	980	± 100	133	50	145		
				500-1080	980					133	145
				400-1050	1050					133	150
				500-1150	1050					133	150
				400-1150	1150					133	155
S 11 - ZVP 25-S	2500	600	2	400-1050	1050	± 100	133	50	150		
				500-1150	1050					133	150
				400-1150	1150					133	155
				500-1250	1150					133	155
				400-1250	1250					133	160
S 11 - ZVP 35-S	3500	500	3	400-1050	1050	± 100	143	58	180		
				500-1150	1050					143	180
				400-1150	1150					143	185
				500-1250	1150					143	185
				400-1250	1250					143	190
				500-1350	1250					143	190
				400-1350	1350		143	58	195		
				500-1450	1350		143	58	195		

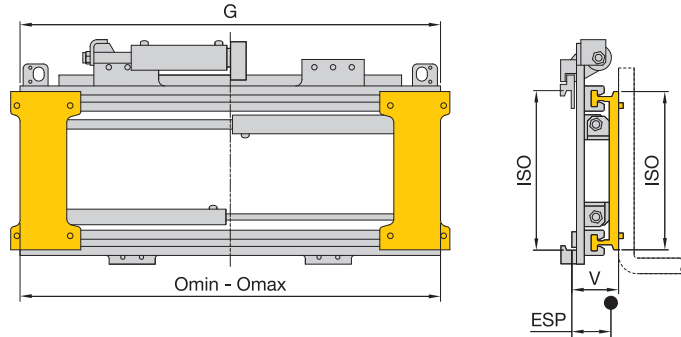
- For load backrests see page 211

- Ex-protection version on request.



Fork Positioners ZVP-Series with Separate Sideshift

2 hydraulic functions



For forks according to ISO 2328

Model	Load capacity	LC (LSP)	ISO	Omin-Omax	G	Sideshift	V	CoG (ESP)	Weight	Price
	kg	mm		mm	mm	mm	mm	mm		
S 11 - ZVP 48-S	4800	600	3	400-1250	1250	± 100	150	63	220	
				500-1350	1250		150	63	220	
				400-1350	1350		150	63	225	
				500-1450	1350		150	63	225	
				400-1450	1450		150	63	230	
				500-1550	1450		150	63	230	
				400-1550	1550		150	63	235	
				500-1650	1550		150	63	235	

- For load backrests see page 211

- Ex-protection version on request.



Standard values for residual load capacity of lift trucks**

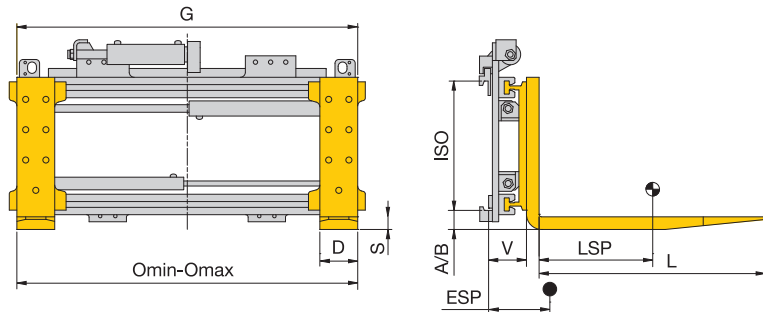
Fork Positioners	S 11 -	ZVP 20-S	ZVP 20-S	ZVP 25-S	ZVP 35-S	ZVP 35-S	ZVP 48-S	ZVP 48-S	ZVP 48-S
Load capacity lift truck	kg	1500	2000	2500	3000	3500	4000	4500	5000/500
X*	mm	350	450	450	450	500	500	500	500
LC (LSP) = 500 mm	kg	1235	1680	2120	2515	2960	3355	3790	4220
LC (LSP) = 600 mm	kg	1120	1540	1940	2300	2720	3085	3485	3880
LC (LSP) = 700 mm	kg	1025	1420	1790	2125	2520	2855	3230	3595
LC (LSP) = 800 mm	kg	945	1315	1660	1970	2345	2660	3005	3350

** The load capacity applies to lifting heights up to 3300 mm; specifications for greater lifting heights on request.

* Assumed dimensions

Fork Positioners ZVP-Series with Separate Sideshift and Forks

2 hydraulic functions



Forks serially bolted on

Model	Load capacity	LC (LSP)	ISO	Omin-Omax	G	Side-shift	D	S	L	V	CoG (ESP)	Weight	Price	Surcharge per 100 mm fork length
S 11 - ZVP 20-S-Z	2000	500	2	400- 980	980	± 100	120	40	1200	133	247	265		
				500-1080	980		120	40	1200	133	247	265		
				400-1050	1050		120	40	1200	133	245	270		
				500-1150	1050		120	40	1200	133	245	270		
				400-1150	1150		120	40	1200	133	242	275		
S 11 - ZVP 25-S-Z	2500	600	2	500-1250	1150		120	40	1200	133	242	275		
				500-1150	1050		125	45	1200	133	263	290		
				400-1150	1150		125	45	1200	133	260	295		
				500-1250	1150		125	45	1200	133	260	295		
				400-1250	1250		125	45	1200	133	258	300		
S 11 - ZVP 35-S-Z	3500	500	3	400-1050	1050	± 100	140	50	1200	143	261	360		
				500-1150	1050		140	50	1200	143	261	360		
				400-1150	1150		140	50	1200	143	259	365		
				500-1250	1150		140	50	1200	143	259	365		
				400-1250	1250		140	50	1200	143	256	370		
				500-1350	1250		140	50	1200	143	256	370		
				400-1350	1350		140	50	1200	143	255	375		
				500-1450	1350		140	50	1200	143	255	375		

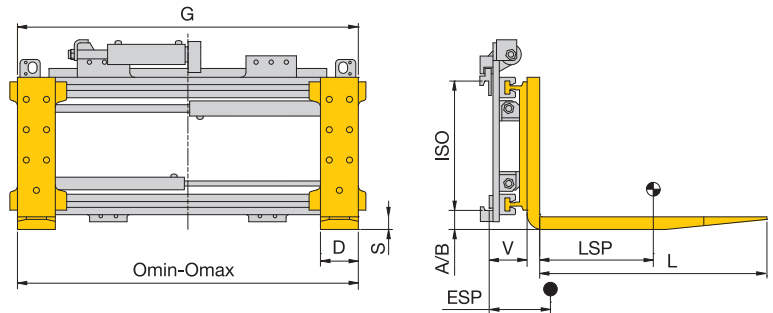
- For load backrests see page 211

- Ex-protection version on request.



Fork Positioners ZVP-Series with Separate Sideshift and Forks

2 hydraulic functions



Forks serially bolted on

Model	Load capacity	LC (LSP)	ISO	Omin-Omax	G	Side-shift	D	S	L	V	CoG (ESP)	Weight	Price	Surcharge per 100 mm fork length
	kg	mm		mm	mm	mm	mm	mm	mm	mm	mm			
S 11 - ZVP 48-S-Z	4800	600	3	400-1250	1250	± 100	150	60	1200	150	287	455		
				500-1350	1250		150	60	1200	150	287	455		
				400-1350	1350		150	60	1200	150	285	460		
				500-1450	1350		150	60	1200	150	285	460		
				400-1450	1450		150	60	1200	150	283	465		
				500-1550	1450		150	60	1200	150	283	465		
				400-1550	1550		150	60	1200	150	281	470		
				500-1650	1550		150	60	1200	150	281	470		

- For load backrests see page 211

- Ex-protection version on request.



Standard values for residual load capacity of lift trucks**

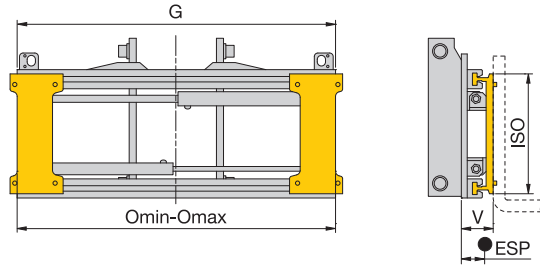
Fork Positioners	S 11 -	ZVP 20-S-Z	ZVP 20-S-Z	ZVP 25-S-Z	ZVP 35-S-Z	ZVP 35-S-Z	ZVP 48-S-Z	ZVP 48-S-Z	ZVP 48-S-Z
Load capacity lift truck	kg	1500	2000	2500	3000	3500	4000	4500	5000/500
X*	mm	350	450	450	450	500	500	500	500
LC (LSP) = 500 mm	kg	1185	1665	2080	2435	2920	3240	3670	4160
LC (LSP) = 600 mm	kg	1075	1525	1905	2235	2685	2980	3380	3830
LC (LSP) = 700 mm	kg	985	1405	1755	2060	2485	2760	3130	3545
LC (LSP) = 800 mm	kg	910	1305	1625	1915	2315	2575	2915	3300

** The load capacity applies to lifting heights up to 3300 mm; specifications for greater lifting heights on request.

* Assumed dimensions

Fork Positioners ZVPI-Series, Integral, with Sideshift Valve

2 hydraulic functions



For forks according to ISO 2328

Model	Load capacity	LC (LSP)	ISO	Omin-Omax	G	V	CoG (ESP)	Weight	Price
	kg	mm		mm	mm	mm	mm	kg	
S 11 - ZVPI 20-SV	2000	500	2	400- 980	980	118	45	125	
				400-1050	1050	118	45	130	
				400-1150	1150	118	45	135	
S 11 - ZVPI 25-SV	2500	600	2	400-1050	1050	118	45	130	
				400-1150	1150	118	45	135	
				400-1250	1250	118	45	140	
S 11 - ZVPI 35-SV	3500	500	3	400-1050	1050	128	52	140	
				400-1150	1150	128	52	145	
				400-1250	1250	128	52	150	
				400-1350	1350	128	52	155	
S 11 - ZVPI 48-SV*	4800	600	3	400-1250	1250	135	55	195	
				400-1350	1350	135	55	200	
				400-1450	1450	135	55	205	
				400-1550	1550	135	55	210	

* For vehicles of ISO class 3

- Lost load center, center of gravity and weight from front edge of side brackets.
- Detail drawings of fork carriage, roller studs and chain anchors or the fork carriage have to be provided by the customer.
- No sideshifting when forks are in their end positions! Also see page 9

- Price includes side brackets.
- For load backrests see page 211
- Ex-protection version on request.



Standard values for residual load capacity of lift trucks**

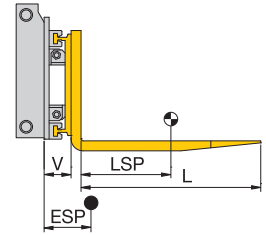
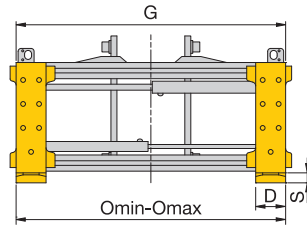
Fork Positioners	S 11 -	ZVPI 20-SV	ZVPI 20-SV	ZVPI 25-SV	ZVPI 35-SV	ZVPI 35-SV	ZVPI 48-SV	ZVPI 48-SV	ZVPI 48-SV
Load capacity lift truck	kg	1500	2000	2500	3000	3500	4000	4500	5000/500
X*	mm	350	450	450	450	500	500	500	500
LC (LSP) = 500 mm	kg	1340	1810	2270	2750	3215	3625	4085	4540
LC (LSP) = 600 mm	kg	1210	1650	2070	2500	2940	3320	3740	4160
LC (LSP) = 700 mm	kg	1105	1515	1900	2300	2710	3065	2450	3840
LC (LSP) = 800 mm	kg	1015	(1375)	1760	2125	(2410)	2845	3205	3560

** The load capacity applies to lifting heights up to 3300 mm; specifications for greater lifting heights on request.

* Assumed dimensions

Fork Positioners ZVPI-Series, Integral, with Sideshift Valve and Forks

2 hydraulic functions



Forks serially bolted on

Model	Load capacity	LC (LSP)	Omin-Omax	G	D	S	L	V	CoG (ESP)	Weight	Price	Surcharge per 100 mm add. fork length
	kg	mm	mm	mm	mm	mm	mm	mm	mm	kg		
S 11 - ZVPI 20-SV-Z	2000	500	400- 980	980	120	40	1200	118	260	240		
			400-1050	1050	120	40	1200	118	258	245		
			400-1150	1150	120	40	1200	118	255	250		
S 11 - ZVPI 25-SV-Z	2500	600	400-1050	1050	125	45	1200	118	276	265		
			400-1150	1150	125	45	1200	118	273	270		
			400-1250	1250	125	45	1200	118	270	275		
S 11 - ZVPI 35-SV-Z	3500	500	400-1050	1050	140	50	1200	128	275	320		
			400-1150	1150	140	50	1200	128	272	325		
			400-1250	1250	140	50	1200	128	270	330		
			400-1350	1350	140	50	1200	128	268	335		
S 11 - ZVPI 48-SV-Z*	4800	600	400-1250	1250	150	60	1200	135	292	430		
			400-1350	1350	150	60	1200	135	289	435		
			400-1450	1450	150	60	1200	135	286	440		
			400-1550	1550	150	60	1200	135	284	445		

* For vehicles of ISO class 3

- Lost load center, center of gravity and weight from front edge of side brackets.
- Detail drawings of fork carriage, roller studs and chain anchors or the fork carriage have to be provided by the customer.
- No sideshifting when forks are in their end positions! Also see page 9

- Price includes side brackets.
- For load backrests see page 211
- Ex-protection version on request.



Standard values for residual load capacity of lift trucks**

Fork Positioners	S 11 -	ZVPI 20-SV-Z	ZVPI 20-SV-Z	ZVPI 25-SV-Z	ZVPI 35-SV-Z	ZVPI 35-SV-Z	ZVPI 48-SV-Z	ZVPI 48-SV-Z	ZVPI 48-SV-Z
Load capacity lift truck	kg	1500	2000	2500	3000	3500	4000	4500	5000/500
X*	mm	350	450	450	450	500	500	500	500
LC (LSP) = 500 mm	kg	1290	1785	2230	2665	3175	3510	3960	4485
LC (LSP) = 600 mm	kg	1165	1630	2030	2430	2905	3215	3630	4110
LC (LSP) = 700 mm	kg	1065	1495	1865	2235	2680	2970	3350	3790
LC (LSP) = 800 mm	kg	975	(1375)	1725	2065	(2410)	2755	3115	3515

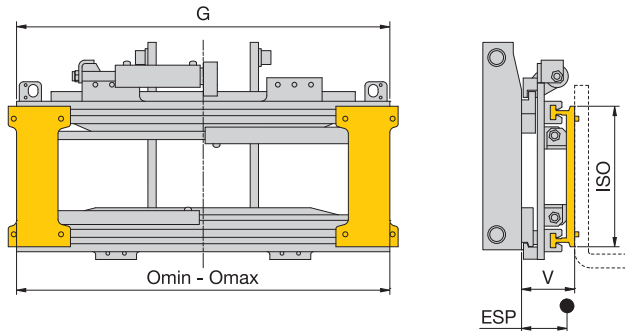
** The load capacity applies to lifting heights up to 3300 mm; specifications for greater lifting heights on request.

* Assumed dimensions

S11

Fork Positioners ZVPI-Series, Integral, with Separate Sideshift

2 hydraulic functions



For forks according to ISO 2328

Model	Load capacity	LC (LSP)	ISO	Omin-Omax	G	Side-shift	V	CoG (ESP)	Weight	Price
	kg	mm		mm	mm					
S 11 - ZVPI 20-S	2000	500	2	400- 980	980	± 100	168	68	200	
				500-1080	980					
				400-1050	1050					
				500-1150	1050					
				400-1150	1150					
S 11 - ZVPI 25-S	2500	600	2	400-1050	1050	± 100	168	69	205	
				500-1150	1050					
				400-1150	1150					
				500-1250	1150					
				400-1250	1250					
S 11 - ZVPI 35-S	3500	500	3	400-1050	1050	± 100	183	77	240	
				500-1150	1050					
				400-1150	1150					
				500-1250	1150					
				400-1250	1250					
				500-1350	1250					
				400-1350	1350		183	78	255	
				500-1450	1350		183	78	255	

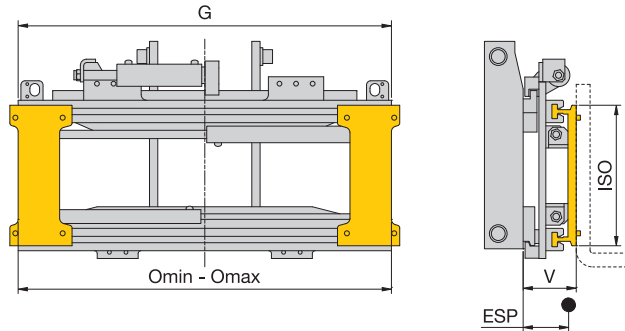
- Lost load center, center of gravity and weight from front edge of side brackets.
- Detail drawings of fork carriage, roller studs and chain anchors or the fork carriage have to be provided by the customer.

- Price includes side brackets.
- For load backrests see page 211
- Ex-protection version on request.



Fork Positioners ZVPI-Series, Integral, with Separate Sideshift

2 hydraulic functions



For forks according to ISO 2328

Model	Load capacity	LC (LSP)	ISO	Omin-Omax	G	Side-shift	V	CoG (ESP)	Weight	Price
	kg	mm		mm	mm					
S 11 - ZVPI 48-S*	4800	600	3	400-1250	1250	± 100	190	81	295	
				500-1350	1250		190	81	295	
				400-1350	1350		190	82	300	
				500-1450	1350		190	82	300	
				400-1450	1450		190	82	305	
				500-1550	1450		190	82	305	
				400-1550	1550		190	82	310	
				500-1650	1550		190	82	310	

* For vehicles of ISO class 3

- Lost load center, center of gravity and weight from front edge of side brackets.
- Detail drawings of fork carriage, roller studs and chain anchors or the fork carriage have to be provided by the customer.

- Price includes side brackets.
- For load backrests see page 211
- Ex-protection version on request.



Standard values for residual load capacity of lift trucks**

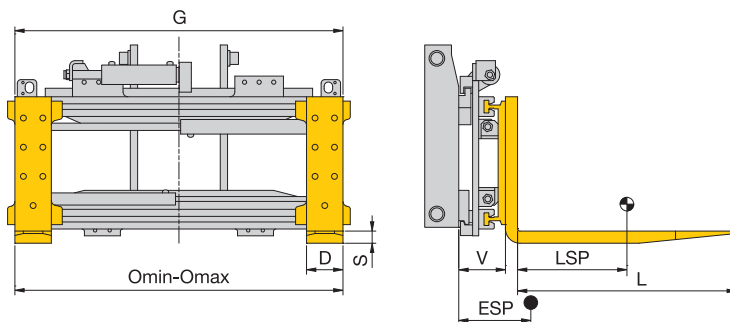
Fork Positioners	S 11 -	ZVPI 20-S	ZVPI 20-S	ZVPI 25-S	ZVPI 35-S	ZVPI 35-S	ZVPI 48-S	ZVPI 48-S	ZVPI 48-S
Load capacity lift truck	kg	1500	2000	2500	3000	3500	4000	4500	5000/500
X*	mm	350	450	450	450	500	500	500	500
LC (LSP) = 500 mm	kg	1240	1685	2125	2555	3005	3400	3835	4295
LC (LSP) = 600 mm	kg	1125	1545	1945	2340	2760	3125	3525	3950
LC (LSP) = 700 mm	kg	1030	1425	1795	2160	2555	2895	3265	3655
LC (LSP) = 800 mm	kg	950	1320	1665	2000	2375	2695	3040	3405

** The load capacity applies to lifting heights up to 3300 mm; specifications for greater lifting heights on request.

* Assumed dimensions

Fork Positioners ZVPI-Series, Integral, with Separate Sideshift and Forks

2 hydraulic functions



Forks serially bolted on

Model	Load capacity	LC (LSP)	Omin-Omax	G	Side-shift	D	S	L	V	CoG (ESP)	Weight	Price	Surcharge per 100 mm fork length
	kg	mm	mm	mm	mm	mm	mm	mm	mm	mm	kg		
S 11 - ZVPI 20-S-Z	2000	500	400- 980	980	± 100	120	40	1200	168	240	315		
			500-1080	980		120	40	1200	168	240	315		
			400-1050	1050		120	40	1200	168	238	320		
			500-1150	1050		120	40	1200	168	238	320		
			400-1150	1150		120	40	1200	168	237	325		
S 11 - ZVPI 25-S-Z	2500	600	400-1050	1050	± 100	125	45	1200	168	260	340		
			500-1150	1050		125	45	1200	168	260	340		
			400-1150	1150		125	45	1200	168	257	345		
			500-1250	1150		125	45	1200	168	257	345		
			400-1250	1250		125	45	1200	168	255	350		
S 11 - ZVPI 35-S-Z	3500	500	400-1050	1050	± 100	140	50	1200	183	260	425		
			500-1150	1050		140	50	1200	183	260	425		
			400-1150	1150		140	50	1200	183	258	430		
			500-1250	1150		140	50	1200	183	258	430		
			400-1250	1250		140	50	1200	183	257	435		
			500-1350	1250		140	50	1200	183	257	435		
			400-1350	1350		140	50	1200	183	255	440		
			500-1450	1350		140	50	1200	183	255	440		

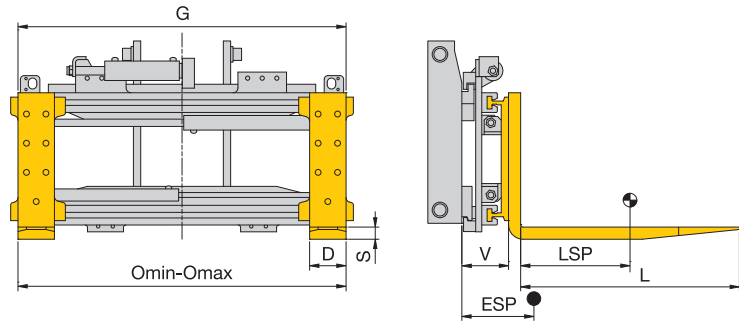
- Lost load center, center of gravity and weight from front edge of side brackets.
- Detail drawings of fork carriage, roller studs and chain anchors or the fork carriage have to be provided by the customer.

- Price includes side brackets.
- For load backrests see page 211
- Ex-protection version on request.



Fork Positioners ZVPI-Series, Integral, with Separate Sideshift and Forks

2 hydraulic functions



Forks serially bolted on

Model	Load capacity	LC (LSP)	Omin-Omax	G	Side-shift	D	S	L	V	CoG (ESP)	Weight	Price	Surcharge per 100 mm fork length
	kg	mm	mm	mm	mm	mm	mm	mm	mm	mm	kg		
S 11 - ZVPI 48-S-Z*	4800	600	400-1250	1250	± 100	150	60	1200	190	284	530		
			500-1350	1250		150	60	1200	190	284	530		
			400-1350	1350		150	60	1200	190	282	535		
			500-1450	1350		150	60	1200	190	282	535		
			400-1450	1450		150	60	1200	190	280	540		
			500-1550	1450		150	60	1200	190	280	540		
			400-1550	1550		150	60	1200	190	279	545		
			500-1650	1550		150	60	1200	190	279	545		

* For vehicles of ISO class 3

- Lost load center, center of gravity and weight from front edge of side brackets.
- Detail drawings of fork carriage, roller studs and chain anchors or the fork carriage have to be provided by the customer.

- Price includes side brackets.
- For load backrests see page 211
- Ex-protection version on request.



Standard values for residual load capacity of lift trucks**

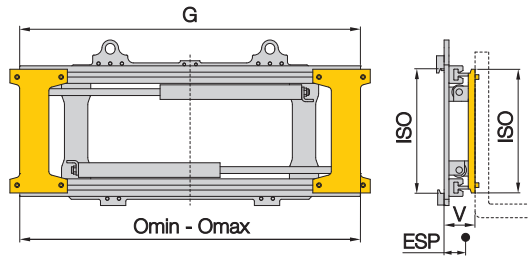
Fork Positioners	S 11 -	ZVPI 20-S-Z	ZVPI 20-S-Z	ZVPI 25-S-Z	ZVPI 35-S-Z	ZVPI 35-S-Z	ZVPI 48-S-Z	ZVPI 48-S-Z	ZVPI 48-S-Z
Load capacity lift truck	kg	1500	2000	2500	3000	3500	4000	4500	5000/500
X*	mm	350	450	450	450	500	500	500	500
LC (LSP) = 500 mm	kg	1190	1670	2085	2490	2965	3280	3715	4210
LC (LSP) = 600 mm	kg	1080	1530	1910	2280	2725	3020	3415	3870
LC (LSP) = 700 mm	kg	990	1410	1760	2100	2520	2795	3165	3585
LC (LSP) = 800 mm	kg	910	1310	1635	1950	2345	2605	2950	3335

** The load capacity applies to lifting heights up to 3300 mm; specifications for greater lifting heights on request.

* Assumed dimensions

Fork Positioners ZVPV-Series with Sideshift Valve

2 hydraulic functions



For forks according to ISO 2328

Model	Load capacity	LC (LSP)	ISO	Omin-Omax	G	V	CoG (ESP)	Weight	Price
	kg	mm		mm	mm	mm	mm	kg	
S 11 - ZVPV 60-SV	6000	600	4	500-1450	1450	159	60	290	
				500-1550	1550	159	60	305	
				500-1750	1750	159	60	325	
				500-1850	1850	159	60	340	
S 11 - ZVPV 70-SV	7000	600	4	500-1750	1750	171	65	370	
				500-1950	1950	171	65	400	
				500-2050	2050	171	65	415	
S 11 - ZVPV 80-SV	8000	600	4	500-1950	1950	171	65	410	
				500-2100	2100	171	65	430	
				500-2200	2200	171	65	440	
S 11 - ZVPV 80/900-SV	8000	900	4	500-1950	1950	184	65	520	
				500-2100	2100	184	65	550	
				500-2200	2200	184	65	565	
S 11 - ZVPV 100-SV	10000	600	4	500-1950	1950	184	65	520	
				500-2100	2100	184	65	550	
				500-2200	2200	184	65	565	
S 11 - ZVPV 80/1100-SV	8000	1100	4	500-2000	2100	184	70	570	
				500-2100	2200	184	70	590	
				500-2300	2400	184	70	625	

- Available without sideshift - For load backrests see page 211 - No sideshifting when forks are in their end positions! Also see page 9

Standard values for residual load capacity of lift trucks**

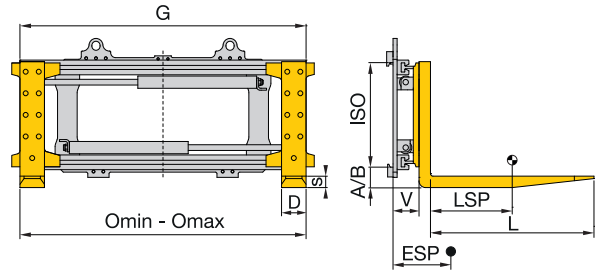
Fork Positioners	S 11 -	ZVPV 60-SV	ZVPV 60-SV	ZVPV 70-SV	ZVPV 80-SV	ZVPV 100-SV
Load capacity lift truck	kg	5000	6000	7000	8000	10000
X*	mm	560	560	650	650	750
LC (LSP) = 600 mm	kg	4270	5150	5960	6820	8500
LC (LSP) = 700 mm	kg	3970	4780	5570	6370	7980
LC (LSP) = 800 mm	kg	3710	4470	5220	5980	7520

** The load capacity applies to lifting heights up to 3300 mm; specifications for greater lifting heights on request.

* Assumed dimensions

Fork Positioners ZVPV-Series with Sideshift Valve and Forks

2 hydraulic functions



Forks serially bolted on

Model	Load capacity	LC (LSP)	ISO	Omin-Omax	G	D	S	L	V	CoG (ESP)	Weight	Price	Surcharge per 100 mm fork length
	kg	mm		mm	mm	mm	mm	mm	mm	mm	kg		
S 11 - ZVPV 60-SV-Z	6000	600	4	500-1450	1450	150	65	1200	159	270	570		
				500-1550	1550	150	65	1200	159	260	585		
				500-1750	1750	150	65	1200	159	255	605		
				500-1850	1850	150	65	1200	159	250	620		
S 11 - ZVPV 70-SV-Z	7000	600	4	500-1750	1750	150	70	1200	171	260	675		
				500-1950	1950	150	70	1200	171	255	705		
				500-2050	2050	150	70	1200	171	245	720		
S 11 - ZVPV 80-SV-Z	8000	600	4	500-1950	1950	200	70	1200	171	280	815		
				500-2100	2100	200	70	1200	171	275	835		
				500-2200	2200	200	70	1200	171	270	845		
S 11 - ZVPV 80/900-SV-Z	8000	900	4	500-1950	1950	200	70	1200	184	260	925		
				500-2100	2100	200	70	1200	184	255	955		
				500-2200	2200	200	70	1200	184	245	970		
S 11 - ZVPV 100-SV-Z	10000	600	4	500-1950	1950	200	70	1200	184	260	925		
				500-2100	2100	200	70	1200	184	255	955		
				500-2200	2200	200	70	1200	184	245	970		
S 11 - ZVPV 80/1100-SV-Z	8000	1100	4	500-2000	2100	200	80	1200	184	270	1030		
				500-2100	2200	200	80	1200	184	265	1050		
				500-2300	2400	200	80	1200	184	260	1085		

- Available without sideshift

- For load backrests see page 211

- No sideshifting when forks are in their end positions! Also see page 9

Standard values for residual load capacity of lift trucks**

Fork Positioners	S 11 -	ZVPV 60-SV-Z	ZVPV 60-SV-Z	ZVPV 70-SV-Z	ZVPV 80-SV-Z	ZVPV 100-SV-Z
Load capacity lift truck	kg	5000	6000	7000	8000	10000
X*	mm	560	560	650	650	750
LC (LSP) = 600 mm	kg	4230	5110	6000	6790	8570
LC (LSP) = 700 mm	kg	3930	4750	5600	6350	8050
LC (LSP) = 800 mm	kg	3680	4440	5260	5960	7590

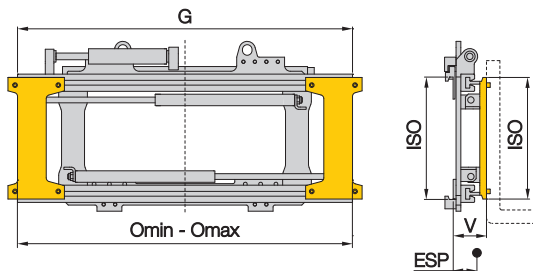
** The load capacity applies to lifting heights up to 3300 mm; specifications for greater lifting heights on request.

* Assumed dimensions

S11

Fork Positioners ZVPV-Series with Separate Sideshift

2 hydraulic functions



For forks according to ISO 2328

Model	Load capacity	LC (LSP)	ISO	Omin-Omax	G	Side-shift	V	CoG (ESP)	Weight	Price
	kg	mm		mm	mm	mm	mm	mm	kg	
S 11 - ZVPV 60-S	6000	600	4	500-1450	1450	± 150	174	65	350	
				500-1550	1550		174	65	365	
				500-1750	1750		174	65	390	
S 11 - ZVPV 70-S	7000	600	4	500-1750	1750	± 150	190	70	430	
				500-1950	1950		190	70	460	
				500-2050	2050		190	70	475	
S 11 - ZVPV 80-S	8000	600	4	500-1950	1950	± 150	190	70	470	
				500-2100	2100		190	70	490	
				500-2200	2200		190	70	500	
S 11 - ZVPV 80/900-S	8000	900	4	500-1950	1950	± 150	214	85	595	
				500-2100	2100		214	85	625	
				500-2200	2200		214	85	640	
S 11 - ZVPV 100-S	10000	600	4	500-1950	1950	± 150	214	85	595	
				500-2100	2100		214	85	625	
				500-2200	2200		214	85	640	
S 11 - ZVPV 80/1100-S	8000	1100	4	500-2000	2100	± 150	214	90	645	
				500-2100	2200		214	90	665	
				500-2300	2400		214	90	700	

- For load backrests see page 211

Standard values for residual load capacity of lift trucks**

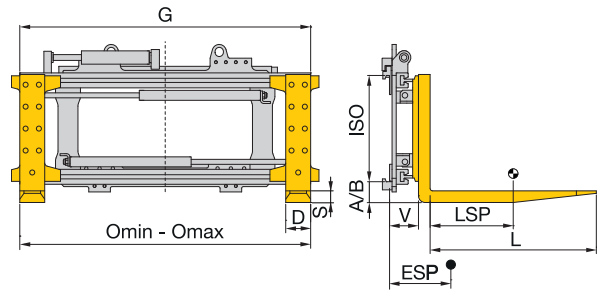
Fork Positioners	S 11 -	ZVPV 60-S	ZVPV 60-S	ZVPV 70-S	ZVPV 80-S	ZVPV 100-S
Load capacity lift truck	kg	5000	6000	7000	8000	10000
X*	mm	560	560	650	650	750
LC (LSP) = 600 mm	kg	4170	5040	5850	6700	8280
LC (LSP) = 700 mm	kg	3880	4690	5470	6260	7790
LC (LSP) = 800 mm	kg	3630	4390	5130	5880	7350

** The load capacity applies to lifting heights up to 3300 mm; specifications for greater lifting heights on request.

* Assumed dimensions

Fork Positioners ZVPV-Series with Separate Sideshift and Forks

2 hydraulic functions



Forks serially bolted on

Model	Load capacity	LC (LSP)	ISO	Omin-Omax	G	Side-shift	D	S	L	V	CoG (ESP)	Weight	Price	Surcharge per 100 mm fork length
	kg	mm		mm	mm	mm	mm	mm	mm	mm	mm			
S 11 - ZVPV 60-S-Z	6000	600	4	500-1450	1450	± 150	150	65	1200	174	260	630		
				500-1550	1550		150	65	1200	174	255	645		
				500-1750	1750		150	65	1200	174	245	670		
				500-1850	1850		150	65	1200	174	240	685		
S 11 - ZVPV 70-S-Z	7000	600	4	500-1750	1750	± 150	150	70	1200	190	250	735		
				500-1950	1950		150	70	1200	190	245	765		
				500-2050	2050		150	70	1200	190	240	780		
S 11 - ZVPV 80-S-Z	8000	600	4	500-1950	1950	± 150	200	70	1200	190	275	875		
				500-2100	2100		200	70	1200	190	270	895		
				500-2200	2200		200	70	1200	190	265	905		
S 11 - ZVPV 80/900-S-Z	8000	900	4	500-1950	1950	± 150	200	70	1200	214	270	1000		
				500-2100	2100		200	70	1200	214	265	1030		
				500-2200	2200		200	70	1200	214	260	1045		
S 11 - ZVPV 100-S-Z	10000	600	4	500-1950	1950	± 150	200	70	1200	214	270	1000		
				500-2100	2100		200	70	1200	214	265	1030		
				500-2200	2200		200	70	1200	214	260	1045		
S 11 - ZVPV 80/1100-S-Z	8000	1100	4	500-2000	2100	± 150	200	80	1200	214	285	1105		
				500-2100	2200		200	80	1200	214	275	1125		
				500-2300	2400		200	80	1200	214	270	1160		

- For load backrests see page 211

Standard values for residual load capacity of lift trucks**

Fork Positioners	S 11 -	ZVPV 60-S-Z	ZVPV 60-S-Z	ZVPV 70-S-Z	ZVPV 80-S-Z	ZVPV 100-S-Z
Load capacity lift truck	kg	5000	6000	7000	8000	10000
X*	mm	560	560	650	650	750
LC (LSP) = 600 mm	kg	4150	5020	5890	6670	8360
LC (LSP) = 700 mm	kg	3870	4670	5500	6240	7860
LC (LSP) = 800 mm	kg	3610	4370	5170	5860	7410

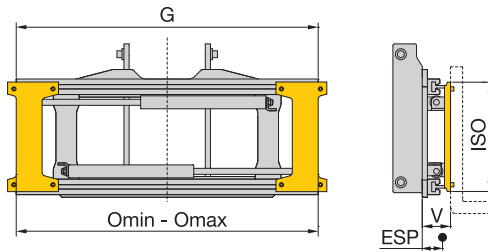
** The load capacity applies to lifting heights up to 3300 mm; specifications for greater lifting heights on request.

* Assumed dimensions

Fork Positioners

ZVPVI-Series, Integral, with Sideshift Valve

2 hydraulic functions



For forks according to ISO 2328

Model	Load capacity	LC (LSP)	ISO	Omin-Omax	G	V	CoG (ESP)	Weight	Price
	kg	mm		mm	mm	mm	mm	kg	
S 11 - ZVPVI 60-SV	6000	600	4	500-1450	1450	164	70	280	
				500-1550	1550	164	70	295	
				500-1750	1750	164	70	320	
				500-1850	1850	164	70	335	
S 11 - ZVPVI 70-SV	7000	600	4	500-1750	1750	185	75	400	
				500-1950	1950	185	75	430	
				500-2050	2050	185	75	450	
S 11 - ZVPVI 80-SV	8000	600	4	500-1950	1950	185	75	435	
				500-2100	2100	185	75	460	
				500-2200	2200	185	75	480	
S 11 - ZVPVI 80/900-SV	8000	900	4	500-1950	1950	194	75	530	
				500-2100	2100	194	75	565	
				500-2200	2200	194	75	590	
S 11 - ZVPVI 100-SV	10000	600	4	500-1950	1950	194	75	530	
				500-2100	2100	194	75	565	
				500-2200	2200	194	75	590	
S 11 - ZVPVI 80/1100-SV	8000	1100	4	500-2000	2100	204	80	640	
				500-2100	2200	204	80	665	
				500-2300	2400	204	80	710	

- Lost load center, center of gravity and weight from front edge of side brackets.
- Detail drawings of fork carriage, roller studs and chain anchors or the fork carriage have to be provided by the customer.
- No sideshifting when forks are in their end positions! Also see page 9
- Price includes side brackets.
- Available without sideshift
- For load backrests see page 211

Standard values for residual load capacity of lift trucks**

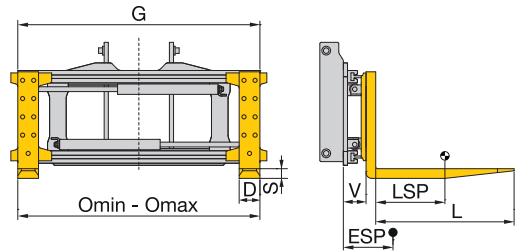
Fork Positioners	S 11 -	ZVPVI 60-SV	ZVPVI 60-SV	ZVPVI 70-SV	ZVPVI 80-SV	ZVPVI 100-SV
Load capacity lift truck	kg	5000	6000	7000	8000	10000
X*	mm	560	560	650	650	750
LC (LSP) = 600 mm	kg	4540	5460	6280	7170	9290
LC (LSP) = 700 mm	kg	4210	5060	5860	6690	8700
LC (LSP) = 800 mm	kg	3920	4710	5490	6270	8170

** The load capacity applies to lifting heights up to 3300 mm; specifications for greater lifting heights on request.

* Assumed dimensions

Fork Positioners ZVPVI-Series, Integral, with Sideshift Valve and Forks

2 hydraulic functions



Forks serially bolted on

Baureihe	Load capacity	LC (LSP)	Omin-Omax	G	D	S	L	V	CoG (ESP)	Weight	Price	Surcharge per 100 mm add. fork length
	kg	mm	mm	mm	mm	mm	mm	mm	mm	kg		
S 11 - ZVPVI 60-SV-Z	6000	600	500-1450	1450	150	65	1200	164	280	560		
			500-1550	1550	150	65	1200	164	270	575		
			500-1750	1750	150	65	1200	164	265	600		
			500-1850	1850	150	65	1200	164	260	615		
S 11 - ZVPVI 70-SV-Z	7000	600	500-1750	1750	150	70	1200	185	265	705		
			500-1950	1950	150	70	1200	185	255	735		
			500-2050	2050	150	70	1200	185	250	755		
S 11 - ZVPVI 80-SV-Z	8000	600	500-1950	1950	200	70	1200	185	285	840		
			500-2100	2100	200	70	1200	185	275	865		
			500-2200	2200	200	70	1200	185	275	885		
S 11 - ZVPVI 80/900-SV-Z	8000	900	500-1950	1950	200	70	1200	194	270	935		
			500-2100	2100	200	70	1200	194	260	970		
			500-2200	2200	200	70	1200	194	255	995		
S 11 - ZVPVI 100-SV-Z	10000	600	500-1950	1950	200	70	1200	194	270	935		
			500-2100	2100	200	70	1200	194	260	970		
			500-2200	2200	200	70	1200	194	255	995		
S 11 - ZVPVI 80/1100-SV-Z	8000	1100	500-2000	2100	200	80	1200	204	275	1100		
			500-2100	2200	200	80	1200	204	265	1125		
			500-2300	2400	200	80	1200	204	260	1170		
S 11 - ZVPVI 120-SV-Z	12000	600	500-2000	2100	200	80	1200	204	275	1100		
			500-2100	2200	200	80	1200	204	265	1125		
			500-2300	2400	200	80	1200	204	260	1170		

S11

- Lost load center, center of gravity and weight from front edge of side brackets.
- Detail drawings of fork carriage, roller studs and chain anchors or the fork carriage have to be provided by the customer.
- No sideshifting when forks are in their end positions! Also see page 9
- Price includes side brackets.
- Available without sideshift
- For load backrests see page 211

Standard values for residual load capacity of lift trucks**

Fork Positioners	S 11 -	ZVPVI 60-SV-Z	ZVPVI 60-SV-Z	ZVPVI 70-SV-Z	ZVPVI 80-SV-Z	ZVPVI 100-SV-Z	ZVPVI 120-SV-Z
Load capacity lift truck	kg	5000	6000	7000	8000	10000	12000
X*	mm	560	560	650	650	750	800
LC (LSP) = 600 mm	kg	4520	5430	6320	7150	9370	11120
LC (LSP) = 700 mm	kg	4190	5030	5890	6670	8760	10430
LC (LSP) = 800 mm	kg	3910	4690	5520	6240	8230	9820

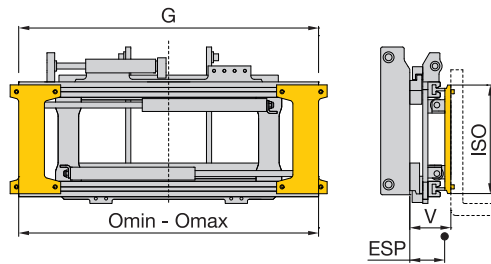
** The load capacity applies to lifting heights up to 3300 mm; specifications for greater lifting heights on request.

* Assumed dimensions

Fork Positioners

ZVPVI-Series, Integral, with Separate Sideshift

2 hydraulic functions



For forks according to ISO 2328

Model	Load capacity	LC (LSP)	ISO	Omin-Omax	G	Side-shift	V	CoG (ESP)	Weight	Price
	kg	mm		mm	mm	mm	mm	mm	kg	
S 11 - ZVPVI 60-S	6000	600	4	500-1450	1450	± 150	235	95	505	
				500-1550	1550		235	95	515	
				500-1750	1750		235	95	540	
				500-1850	1850		235	95	550	
S 11 - ZVPVI 70-S	7000	600	4	500-1750	1750	± 150	246	100	580	
				500-1950	1950		246	100	610	
				500-2050	2050		246	100	630	
S 11 - ZVPVI 80-S	8000	600	4	500-1950	1950	± 150	246	105	615	
				500-2100	2100		246	105	635	
				500-2200	2200		246	105	650	
S 11 - ZVPVI 80/900-S	8000	900	4	500-1950	1950	± 150	270	115	770	
				500-2100	2100		270	115	800	
				500-2200	2200		270	115	820	
S 11 - ZVPVI 100-S	10000	600	4	500-1950	1950	± 150	270	115	770	
				500-2100	2100		270	115	800	
				500-2200	2200		270	115	820	
S 11 - ZVPVI 80/1100-S	8000	1100	4	500-2000	2100	± 150	270	120	815	
				500-2100	2200		270	120	835	
				500-2300	2400		270	120	875	

- Lost load center, center of gravity and weight from front edge of side brackets.
- Detail drawings of fork carriage, roller studs and chain anchors or the fork carriage have to be provided by the customer.

- Price includes side brackets.
- For load backrests see page 211

Standard values for residual load capacity of lift trucks**

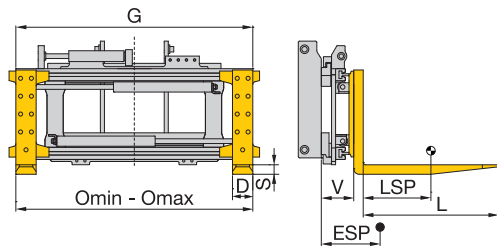
Fork Positioners	S 11 -	ZVPVI 60-S	ZVPVI 60-S	ZVPVI 70-S	ZVPVI 80-S	ZVPVI 100-S
Load capacity lift truck	kg	5000	6000	7000	8000	10000
X*	mm	560	560	650	650	750
LC (LSP) = 600 mm	kg	4190	5060	5920	6770	8690
LC (LSP) = 700 mm	kg	3900	4710	5530	6330	8150
LC (LSP) = 800 mm	kg	3650	4400	5200	5940	7680

** The load capacity applies to lifting heights up to 3300 mm; specifications for greater lifting heights on request.

* Assumed dimensions

Fork Positioners ZVPVI-Series, Integral, with Separate Sideshift and Forks

2 hydraulic functions



Forks serially bolted on

Model	Load capacity	LC (LSP)	Omin-Omax	G	Side-shift	D	S	L	V	CoG (ESP)	Weight	Price	Surcharge per 100 mm add. fork length
	kg	mm	mm	mm	mm	mm	mm	mm	mm	mm	kg		
S 11 - ZVPVI 60-S-Z	6000	600	500-1450	1450	± 150	150	65	1200	235	265	785		
			500-1550	1550		150	65	1200	235	255	795		
			500-1750	1750		150	65	1200	235	250	820		
			500-1850	1850		150	65	1200	235	250	830		
S 11 - ZVPVI 70-S-Z	7000	600	500-1750	1750	± 150	150	70	1200	246	260	885		
			500-1950	1950		150	70	1200	246	255	915		
			500-2050	2050		150	70	1200	246	250	935		
S 11 - ZVPVI 80-S-Z	8000	600	500-1950	1950	± 150	200	70	1200	246	290	1020		
			500-2100	2100		200	70	1200	246	285	1040		
			500-2200	2200		200	70	1200	246	280	1055		
S 11 - ZVPVI 80/900-S-Z	8000	900	500-1950	1950	± 150	200	70	1200	270	280	1175		
			500-2100	2100		200	70	1200	270	275	1205		
			500-2200	2200		200	70	1200	270	270	1225		
S 11 - ZVPVI 100-S-Z	10000	600	500-1950	1950	± 150	200	70	1200	270	280	1175		
			500-2100	2100		200	70	1200	270	275	1205		
			500-2200	2200		200	70	1200	270	270	1225		
S 11 - ZVPVI 80/1100-S-Z	8000	1100	500-2000	2100	± 150	200	80	1200	270	295	1275		
			500-2100	2200		200	80	1200	270	290	1295		
			500-2300	2400		200	80	1200	270	285	1335		
S 11 - ZVPVI 120-S-Z	12000	600	500-2000	2100	± 150	200	80	1200	270	295	1275		
			500-2100	2200		200	80	1200	270	290	1295		
			500-2300	2400		200	80	1200	270	285	1335		

- Lost load center, center of gravity and weight from front edge of side brackets.
- Detail drawings of fork carriage, roller studs and chain anchors or the fork carriage have to be provided by the customer.

- Price includes side brackets.
- For load backrests see page 211

Standard values for residual load capacity of lift trucks**

Fork Positioners	S 11 -	ZVPVI 60-S-Z	ZVPVI 60-S-Z	ZVPVI 70-S-Z	ZVPVI 80-S-Z	ZVPVI 100-S-Z	ZVPVI 120-S-Z
Load capacity lift truck	kg	5000	6000	7000	8000	10000	12000
X*	mm	560	560	650	650	750	800
LC (LSP) = 600 mm	kg	4170	5030	5960	6740	8760	10540
LC (LSP) = 700 mm	kg	3880	4690	5570	6300	8220	9920
LC (LSP) = 800 mm	kg	3630	4380	5230	5920	7750	9360

** The load capacity applies to lifting heights up to 3300 mm; specifications for greater lifting heights on request.

* Assumed dimensions



Fork positioners - load capacity 55,000 kg / 1,200 mm



Fork positioner with load stabilizer

S11



Fork positioner ZVP-series with telescopic forks



Fork positioner with load arm



Special fork positioner with 4 forks



Fork positioner ZVPV-series